

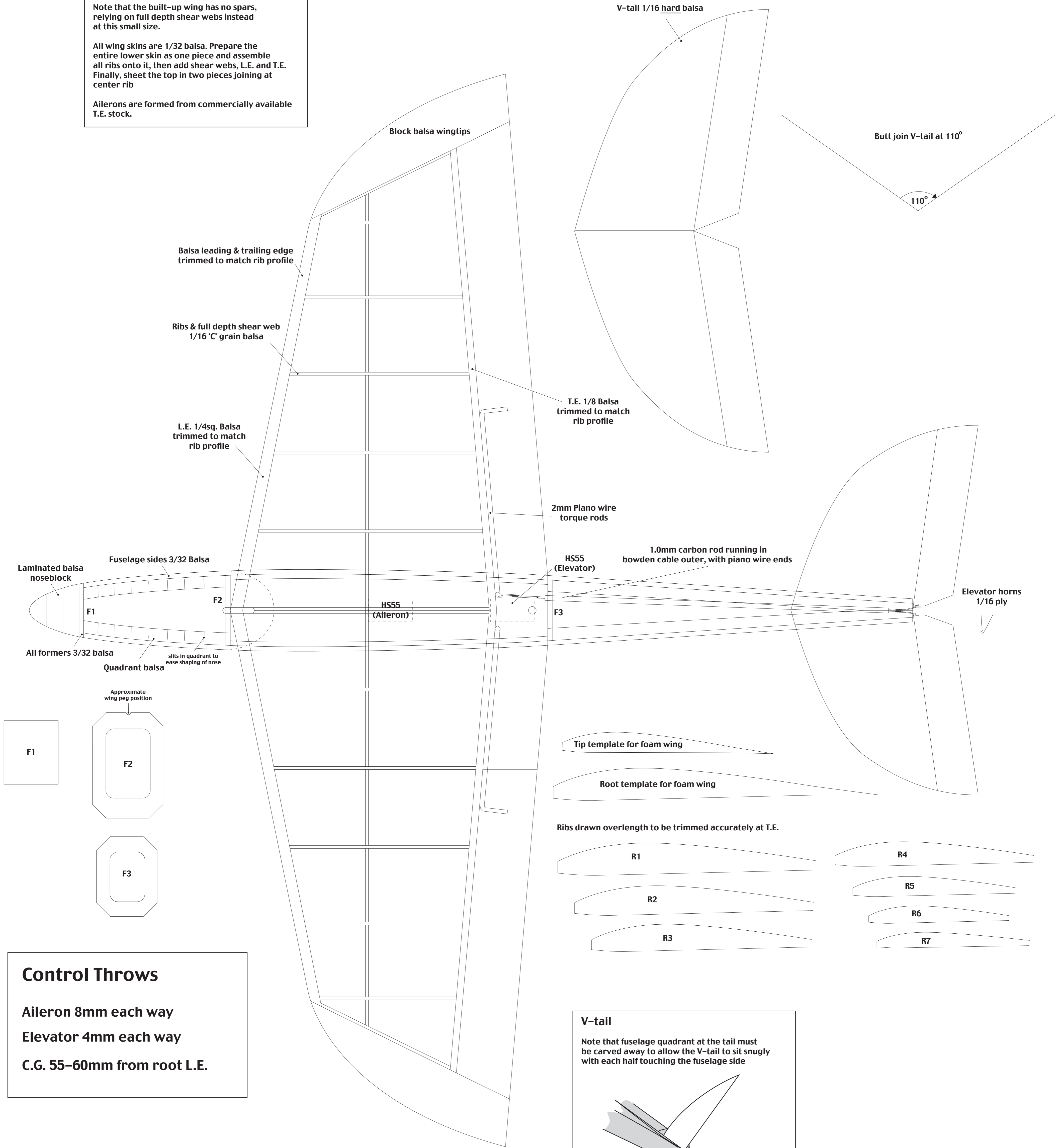
Limit MK3

Wing construction

Note that the built-up wing has no spars, relying on full depth shear webs instead at this small size.

All wing skins are 1/32 balsa. Prepare the entire lower skin as one piece and assemble all ribs onto it, then add shear webs, L.E. and T.E. Finally, sheet the top in two pieces joining at center rib

Ailerons are formed from commercially available T.E. stock.



Control Throws

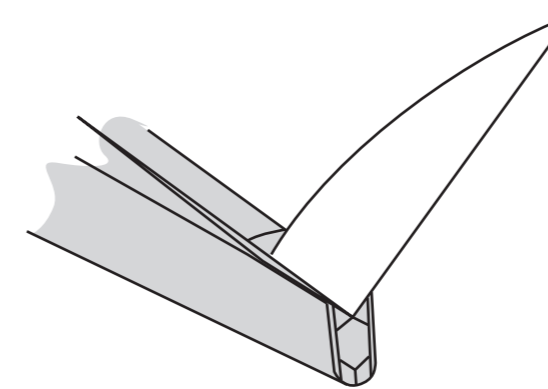
Aileron 8mm each way

Elevator 4mm each way

C.G. 55-60mm from root L.E.

V-tail

Note that fuselage quadrant at the tail must be carved away to allow the V-tail to sit snugly with each half touching the fuselage side



Make sure that the tail remains at the same angle of incidence as the wing seat.

